



PRESENTATION

PNEUMATIC ROPE BALANSER

BFCS75 WITH STANDARD HOOK

The pneumatic balancers are particularly suitable for the rapid handling of loads on the production lines.

Specifications

The standard column execution includes an articulated arm of 3m radius inside which the balancing device with a lifting capacity of 75 Kg is located. Both the rotation of the arm with respect to the column and that of the articulation is 360° continuous, thanks to the internal air passages. The column can be fixed directly to the floor or mounted on a forked base to use the balancer different locations.



Safety Devices

- » Locking valve for raising and lowering the rope and any gripping tool in case of a sudden lack of compressed air supply
- » Parking brakes on joints against spontaneous arm movements (optional)
- » Valve cuts flow to prevent sudden ascents of the rope due to operating errors



Accessories




The balancer can be supplied with a simple rotating hook, or complete with a custom-made gripping tool for moving a specific object.



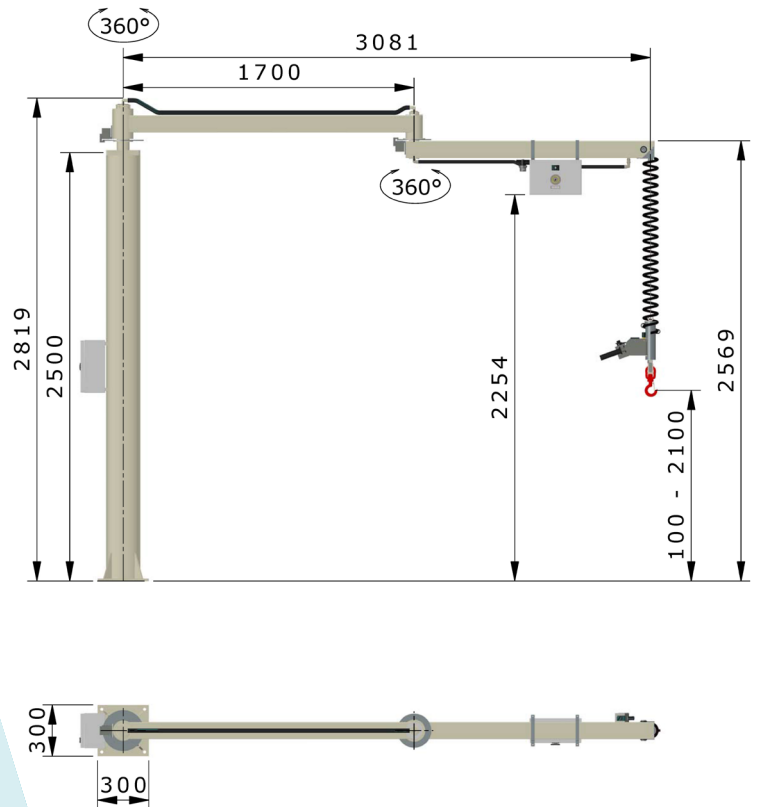
WHO WE ARE

MANIBO S.r.l. holds a consolidated position in the field of industrial manipulation and is now a reference partner for numerous leading companies not only in Italy, but throughout the world. MANIBO takes particular care in solving handling problems in companies in the food, pharmaceutical and ATEX environments. We guarantee timely responses and rapid decisions.

WHY CHOOSE US

-  Our professionals boast experience, professionalism and precision.
-  Particular attention in the testing phase with strict tests for uses even in ATEX environments.
-  Accurate design phase to adapt the manipulator to your machine and your environment.

CONTACT US FOR A QUOTE

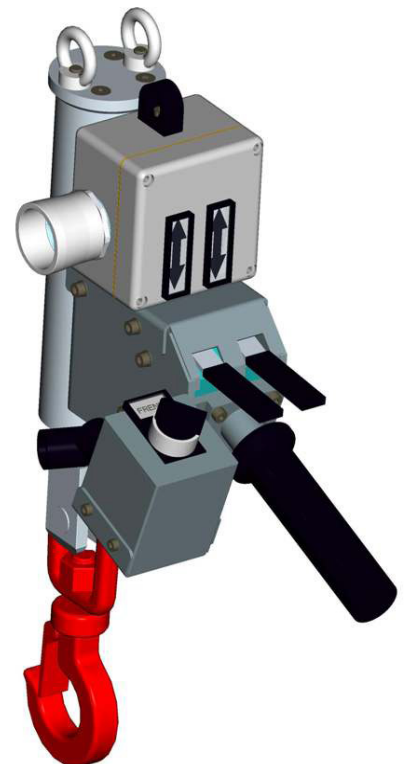


Technical features:

- Air supply at 7 bar
- Net capacity 75 kg
- Action radius 3080 mm
- Column rotation 360° continuous
- Joint rotation 360° continuous
- Vertical stroke 100 - 2100 mm
- Maximum instant air consumption 240 NI / min

Indicated in cases where the load is simply to be picked up and subsequently deposited on a horizontal support, without any coupling operations being necessary. To be adopted absolutely in case of the sequence of handling loads of different weight, not requiring any pre-setting. The operator, acting on two proportional levers, controls the ascent and descent of the load, in a very precise way, with a the possibility of adjusting the position by pushing without having to operate any command. Absolutely preferable to any other pneumatic control in the execution of the translation movements of the articulated arm due to its ability to transmit acceleration through the lateral traction of the rope.

The indicated range is to be considered gross. The load that can actually be lifted will be obtained by deducting the weight of the gripper from the effective load capacity of the balancer.



SCAN ME



Via del lavoro 85, 40033
Casalecchi di Reno BO



+39 051 6468143



www.manibo.eu
manibo@mani-bo.com