

PRESENTATION

PNEUMATIC ROPE BALANSER

WITH COMMAND IN
BALANCED STATE

The pneumatic balancers are particularly suitable for the rapid handling of loads on the production lines.



Specifications

The standard column execution includes an articulated arm of 3m radius inside which the balancing device with a lifting capacity of 75 Kg is located. Both the rotation of the arm with respect to the column and that of the articulation is 360° continuous, thanks to the internal air passages. The column can be fixed directly to the floor or mounted on a forked base to use the balancer different locations.



Safety Devices

- » Locking valve for raising and lowering the rope and any gripping tool in case of a sudden lack of compressed air supply
- » Parking brakes on joints against spontaneous arm movements (optional)
- » Valve cuts flow to prevent sudden ascents of the rope due to operating errors






Accessories

The balancer can be supplied with a simple rotating hook, or complete with a custom-made gripping tool for moving a specific object.

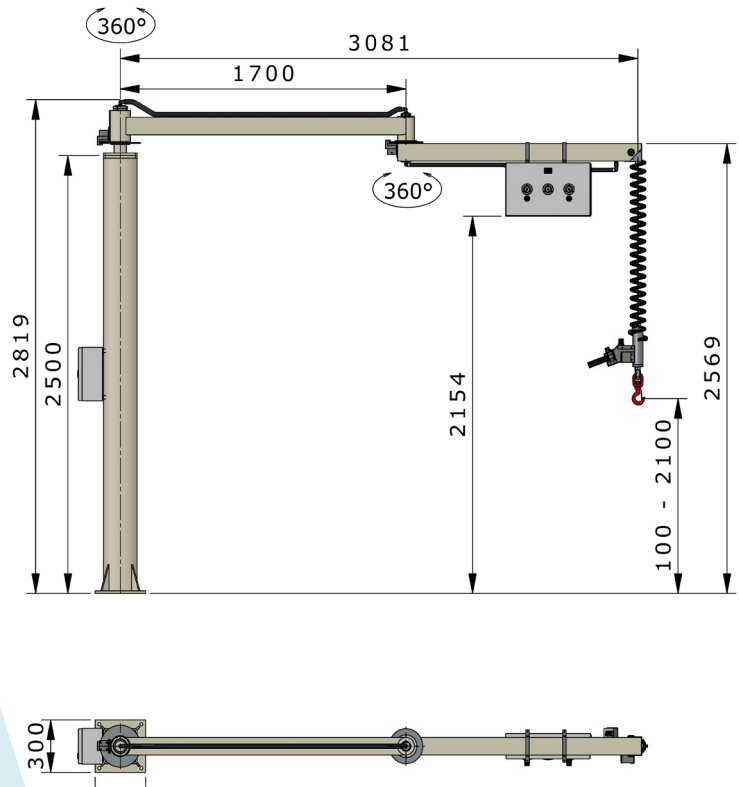
WHO WE ARE

MANIBO holds a consolidated position in the field of industrial manipulation and is now a reference partner for numerous leading companies not only in Italy, but throughout the world. MANIBO takes particular care in solving handling problems in companies in the food, pharmaceutical and ATEX environments. We guarantee timely responses and rapid decisions.

WHY CHOOSE US

-  Our professionals boast experience, professionalism and precision.
-  Particular attention in the testing phase with strict tests for uses even in ATEX environments.
-  Accurate design phase to adapt the manipulator to your machine and your environment.

CONTACT US FOR A QUOTE



Technical features:

- Air supply at 7 bar
- Net capacity 75 kg
- Action radius 3080 mm
- Column rotation 360° continuous
- Joint rotation 360° continuous
- Vertical stroke 100 - 2100 mm
- Maximum instant air consumption 240 NI / min

COMMAND for resetting the weight of the load using regulator. Allows the operator to move a load in "weightless" state. Calibration of the weight to be balanced occurs by means of a pressure regulator with lock bayonet on the maneuver handle. The calibration operation is performed only at first operation or whenever the weight of the object to be handled changes. Pressing the black "with load" button the preset balancing force is activated allows the raise and lower the load without any effort. Pressing the red "no load" button the weight balance of the implement is activated only for the gripping hook.

HOOK rotary grip and certified with safety tongue, with a net capacity 75 kg.



SCAN ME



Via del Lavoro, 85
40033 Casalecchio di Reno BO



+39 051 6468143



www.manibo.eu
manibo@mani-bo.com