



PRESENTATION

PNEUMATIC ROPE BALANSER WITH STANDARD HOOK

The pneumatic balancers are particularly suitable for the rapid handling of loads on the production lines.

Specifications

The standard column execution includes an articulated arm with a working radius of 4 m. Inside the second arm a balancing device with a lifting capacity of 150 Kg is housed. The rotation of the arm around the column is 360° continuous, on the articulation is 270°, thanks to the internal air passages. The column can be fixed directly to the floor or mounted on a self bearing fork liftable base, in order to be used in different work places.



Safety Devices

- » Locking valve for raising and lowering the rope and any gripping tool in case of a sudden lack of compressed air supply
- » Parking brakes on joints against spontaneous arm movements (optional)
- » Valve cuts flow to prevent sudden ascents of the rope due to operating errors



Accessories




The balancer can be supplied with a simple rotating hook, or complete with a custom-made gripping tool for moving a specific object.



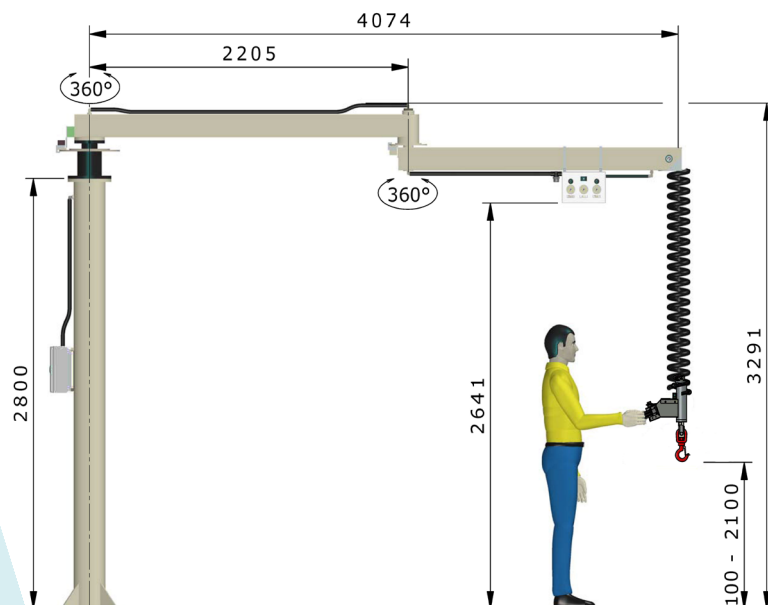
WHO WE ARE

MANIBO holds a consolidated position in the field of industrial manipulation and is now a reference partner for many leading companies not only in Italy, but throughout the world. MANIBO takes particular care in solving handling problems in the food and pharmaceutical companies, also with applications in ATEX environments. We guarantee timely responses and rapid decisions.

WHY CHOOSE US

-  Our experience, professionalism and precision.
-  Particular attention in the testing phase, with specific tests for the use, even in ATEX environments.
-  Accurate design phase to adapt the manipulator to your machine and to your environment conditions.

CONTACT US FOR A QUOTE

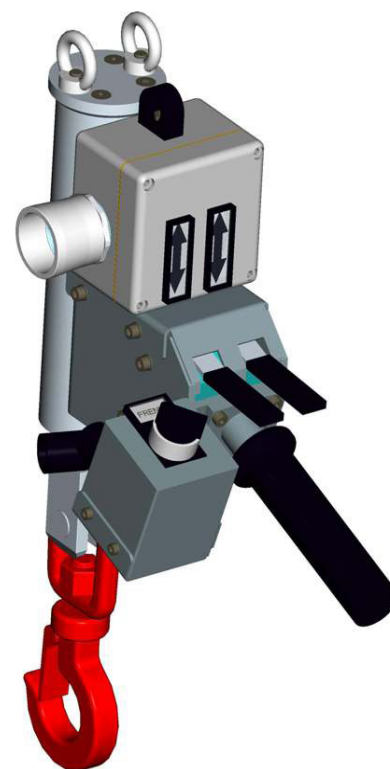


Technical features:

- Air pressure supplied at 7 bar
- Gross capacity 150 kg
- Max working radius 4080 mm
- Rotation around the Column 360° continuous
- Articulated arm rotation 270°
- Useful vertical stroke 100 - 2100 mm
- Maximum instant air consumption 240 NI / min

Indicated in cases where the load is free and unpaired, simply to be picked up and then deposited where needed. Particularly suitable for handling loads of different weights. This type of control does not require any presetting. The operator, acting on two proportional levers, controls the lifting and lowering of the load, in a very precise way, with the possibility of adjusting the position in a balanced state, without operating on the control levers. Better than any other pneumatic control during articulated arm translation movements due to its ability to transmit acceleration through the lateral traction of the rope.

The indicated capacity must be considered gross. The load that can be lifted will be obtained by subtracting the weight of the clamp from the actual load capacity of the balancer.



Via del Lavoro 85, 40033
Casalecchio di Reno BO



+39 (0)51 6468143



www.manibo.eu
manibo@mani-bo.com



SCAN ME